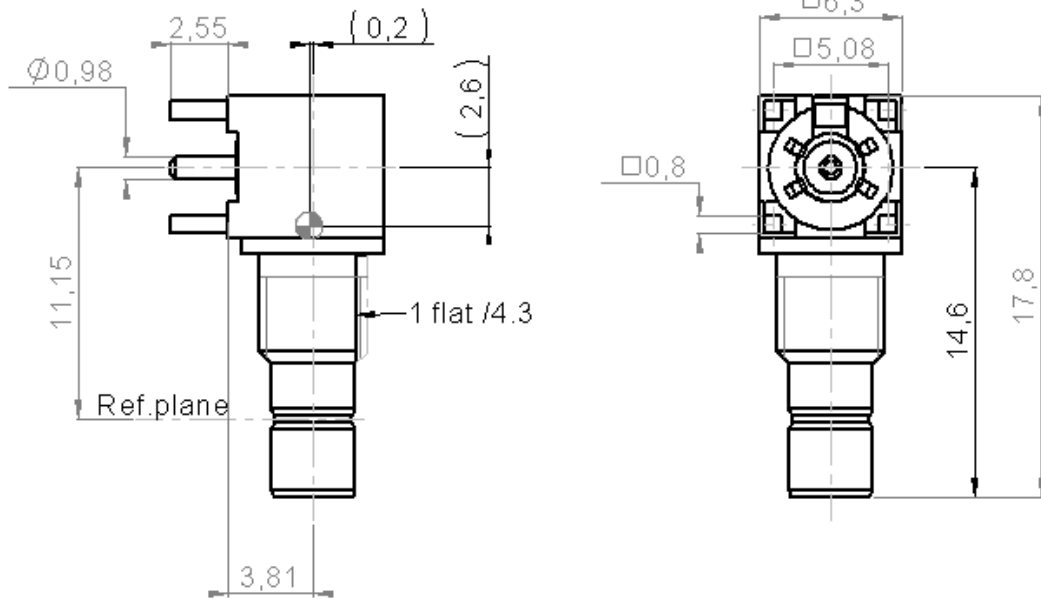


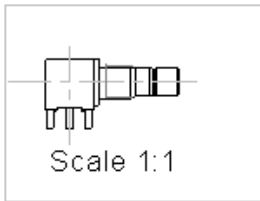
RIGHT ANGLE BULKHEAD JACK RECEPTACLE FOR PCB
REEL OF 200

R114.673.840

Series : **SMB**



⊕ Gravity Center

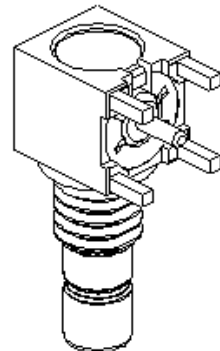


PANEL CUT OUT

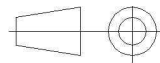
	mm	
	Maxi	mini
A	2.59	2.49
B	1.4	1.3
C	5.16	5

PANEL CUT OUT

	mm	
	Maxi	mini
A	5	4.9
B	4.56	4.49



All dimensions are in mm.



COMPONENTS	MATERIALS	PLATINGS (µm)
BODY	BRASS	GOLD 0.2 OVER NICKEL 2
CENTER CONTACT	BRASS	GOLD 1.3 OVER NICKEL 2
OUTER CONTACT	-	-
INSULATOR	PTFE	-
GASKET	-	-
OTHERS PARTS	BRASS	GOLD 0.2 OVER NICKEL 2
-	-	-
-	-	-

Issue : 0826 A

In the effort to improve our products, we reserve the right to make changes judged to be necessary.



RIGHT ANGLE BULKHEAD JACK RECEPTACLE FOR PCB
REEL OF 200

R114.673.840

Series : SMB

PACKAGING

SPECIFICATION

Standard	Unit	Other
200	'W' option	Contact us

ELECTRICAL CHARACTERISTICS

ENVIRONMENTAL

Impedance	50	Ω
Frequency	0-4	GHz
VSWR	1.2* + 0,0000	x F(GHz) Maxi
Insertion loss	0.1	$\sqrt{F(GHz)}$ dB Maxi
RF leakage	- (NA)	- F(GHz)) dB Maxi
Voltage rating	335	Veff Maxi
Dielectric withstanding voltage	1000	Veff mini
Insulation resistance	1000	M Ω mini

Operating temperature	-65/+165	$^{\circ}$ C
Hermetic seal	NA	Atm.cm3/s
Panel leakage	NA	

OTHERS CHARACTERISTICS

Assembly instruction

Others :

* Coaxial Transmission Line Only

MECHANICAL CHARACTERISTICS

Center contact retention		
Axial force – Mating end	10	N mini
Axial force – Opposite end	10	N mini
Torque	NA	N.cm mini
Recommended torque		
Mating	NA	N.cm
Panel nut	60	N.cm
Mating life	500	Cycles mini
Weight	2,6200	g

Issue : 0826 A

In the effort to improve our products, we reserve the right to make changes judged to be necessary.

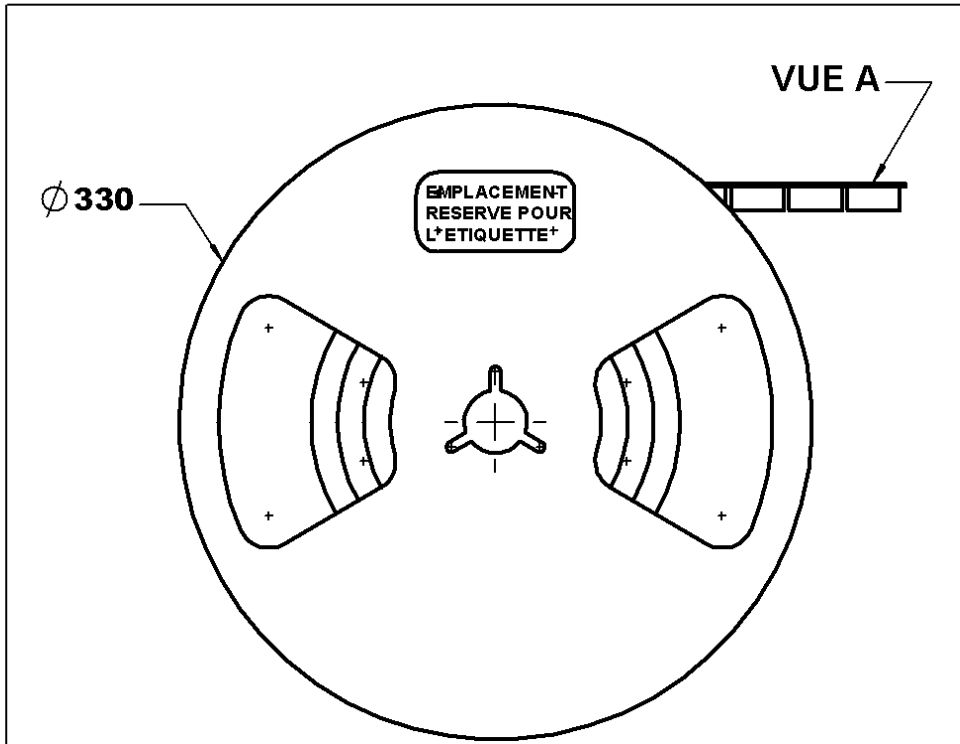


RIGHT ANGLE BULKHEAD JACK RECEPTACLE FOR PCB

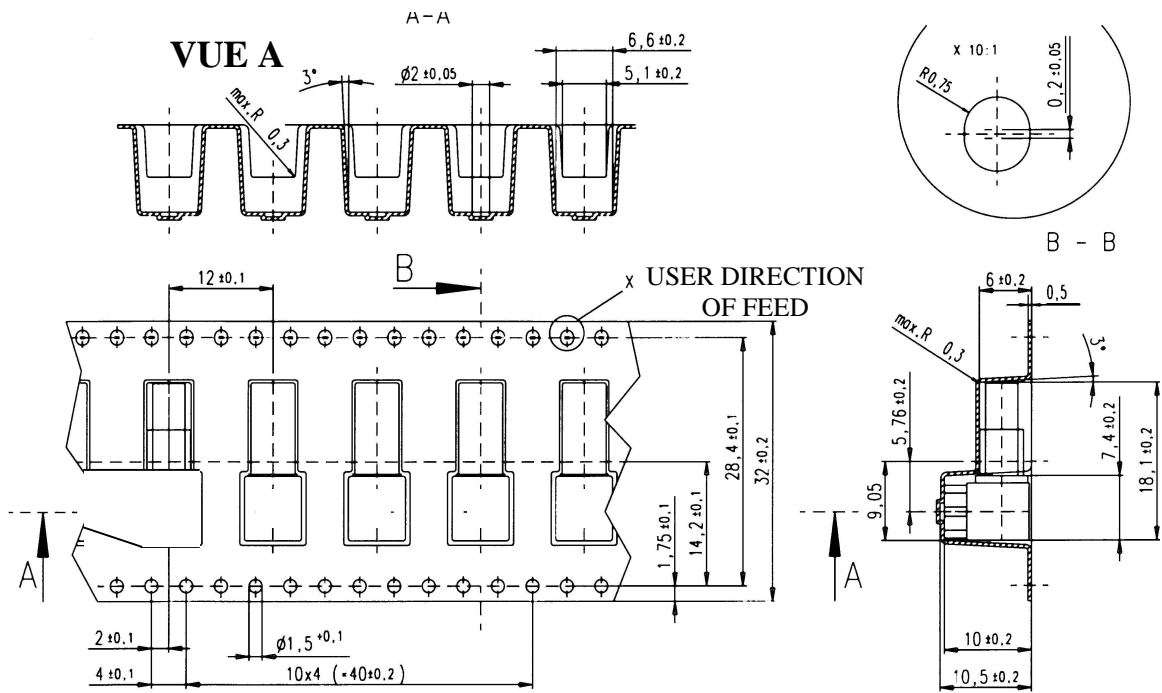
REEL OF 200

R114.673.840

Series : **SMB**



bobine Ech :0.7



Issue : 0826 A

In the effort to improve our products, we reserve the right to make changes judged to be necessary.

